

# Angular Contact Ball Bearings

Bearing No. : **NACHI 7220DF**

■ Bearing Type

■ Clearance

■ Tolerance Class

Dimensions

$d = 100$   
0  
-0.020

$D = 180$   
0  
-0.025

$B = 34$   
0  
0.000

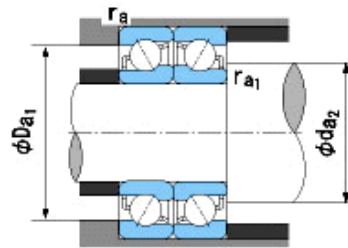
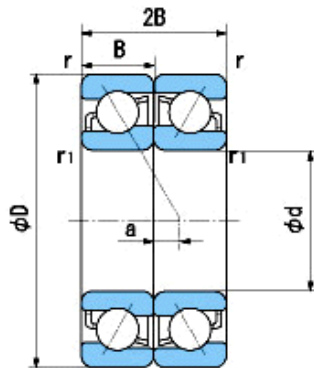
$r = 2.1 \sim 4$   
(Radial Direction)

$r = 2.1 \sim 6.5$   
(Axial Direction)

$r_1 = 1.1 \sim 2$   
(Radial Direction)

$r_1 = 1.1 \sim 3.5$   
(Axial Direction)

$a = 23.4$



Dimensions

$da_1(\min) = 112$   
 $da_2(\min) = 107$   
 $Da_1(\max) = 168$   
 $Da_2(\max) = 173$   
 $ra(\max) = 2$   
 $ra_1(\max) = 1$   
Mass = 6.64 kg

Basic Dynamic Load Rating  $C_r$  : **234,000** N

Basic Static Load Rating  $C_o$  : **251,000** N

Limiting Speed ;

Grease Lubrication : **2,400**  $\text{min}^{-1}$

Oil Lubrication : **3,400**  $\text{min}^{-1}$

	INNER RING	OUTER RING
O.D.Surface Runout with Side :		-
Axial Runout with Bore :	-	-
Axial Runout with Raceway :	-	-
Width Variation :	<b>0.025</b>	<b>0.025</b>
Radial Runout :	<b>0.025</b>	<b>0.045</b>